



Features:

- Long life and easy to use 1/4 turn ceramic disc valves
- Metal back nuts for added durability
- Easy-to-use lever handle
- Includes 1.5m hose, rub-clean anti-limescale handset and wall bracket
- 1.5m shower hose

Product Certifications:



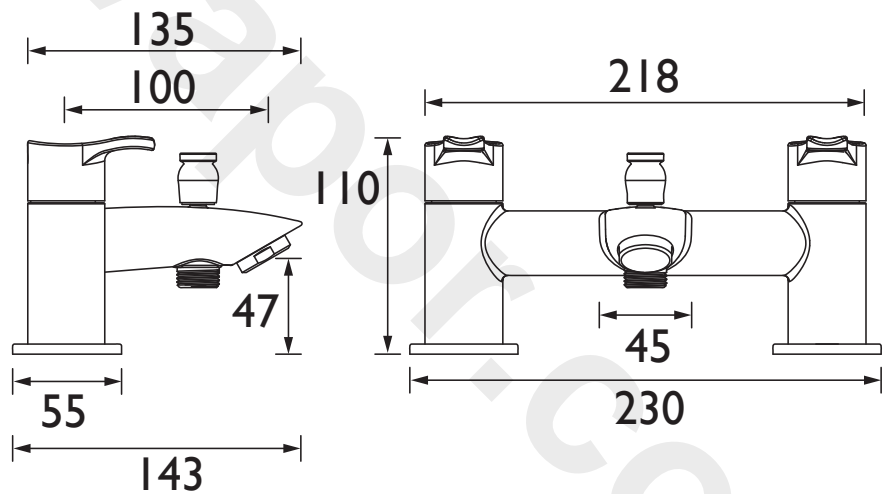
For more products, visit our website:
<http://www.bristan.com>



Specification

| | |
|--|-----------------------------------|
| Product Type: | Bathroom Tap |
| Main Construction Material: | Brass |
| Mount Type: | Deck Mounted |
| Handle Type: | Lever Handles |
| Connection Inlet: | 3/4" BSP |
| Connection Outlet: | M28 Flow Straightener |
| Number of Tap Holes: | 2 |
| Valve/Cartridge Type: | 1/4 Turn 3/4" Ceramic Disc Valve |
| Plumbing System Requirements: | Suitable for all plumbing systems |
| Minimum Dynamic Pressure (bar): | 0.3 bar |
| Maximum Dynamic Pressure (bar): | 5.0 bar |
| Maximum Hot Water Temperature °C: | 65°C |
| Maximum Static Pressure (bar): | 10 bar |
| Flow Type: | Single Flow |
| Isolation Included: | No |

Dimensions (measurements in mm)



Flow Rates (l/min)

| System Pressure (bar) | 0.3 | 0.5 | 1 | 2 | 3 | 5 |
|-----------------------------|------|------|------|----|------|------|
| Through Bath Filler (mixed) | 16.7 | 21.5 | 30.4 | 43 | 52.7 | 68 |
| Through Handset (mixed) | 6.2 | 8 | 11.3 | 16 | 19.6 | 25.3 |

TECHNICAL DATA SHEET



BRISTAN

D8